



FarBo®

Angle pipes

Application

- Angle pipes for use with FarBo roof outlets and extension pipes

Key Features

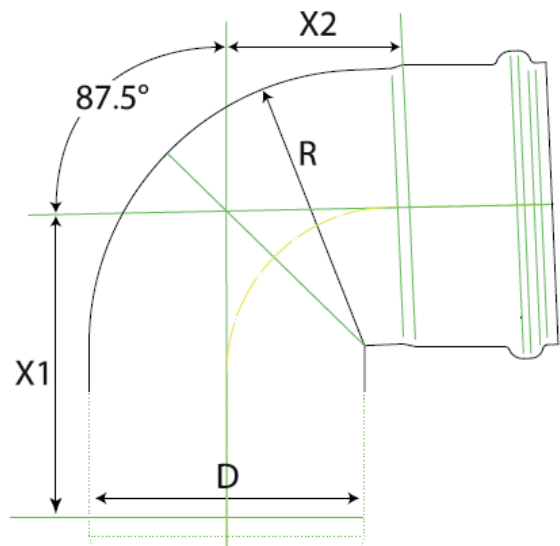
- Manufactured from high quality 304 grade stainless steel
- 87.5 degree angle bend
- EPDM lip seal maintains tight and secure seal between angle pipe and outlet or pipe
- Produced in compliance with EN1124 guidelines

Standard right angle

Code	Outside diameter (mm)	X1 (mm)	X2 (mm)	R (mm)
FO-RA90-50	50	86	40	50
FO-RA90-75	75	107	53	75
FO-RA90-110	110	134	73	110
FO-RA90-160	160	181	105	171



FO-RA90



FIXFAST Ltd | Merlin House | Seven Mile Lane | Borough Green | Sevenoaks | Kent | TN15 8QY
T: 0845 450 7483 | F: 0845 450 7486 | E: info@fixfast.com | W: www.fixfast.com

*Fixfast is a trading name of FIXFAST Ltd which is a company registered in England & Wales with number 09481218.
 The registered office is Fixfast, Merlin House, Seven Mile Lane, Borough Green, Sevenoaks, Kent, United Kingdom TN15 8QY*

©Fixfast September 2017. All rights reserved. Due to a policy of continual development, Fixfast reserves the right to change product specification and descriptions without prior notice.



Certificate Number 10905
 ISO 9001: 2008
 ISO 14001: 2004
 BS OHSAS 18001: 2007